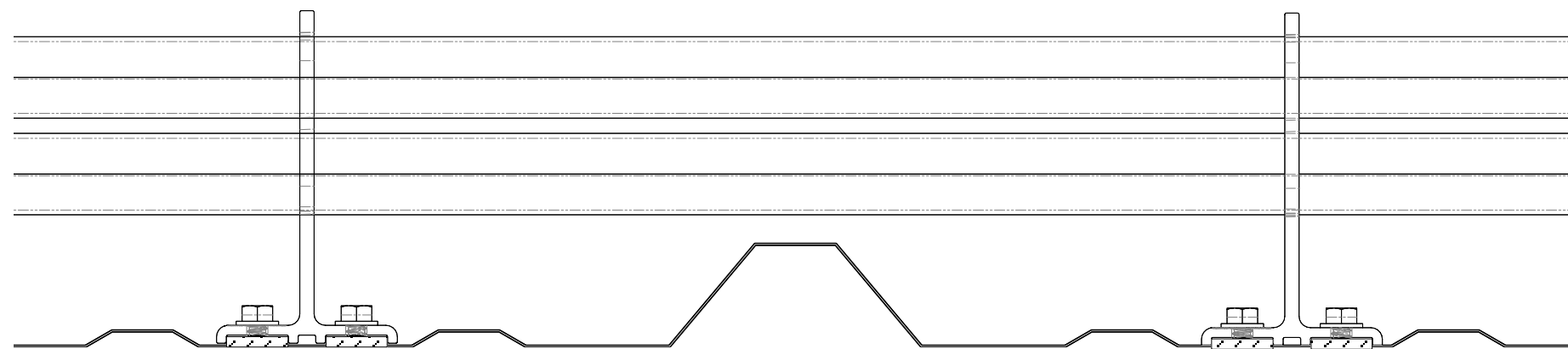
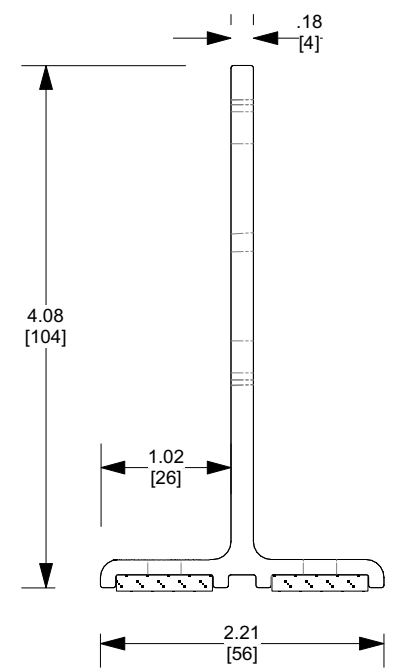
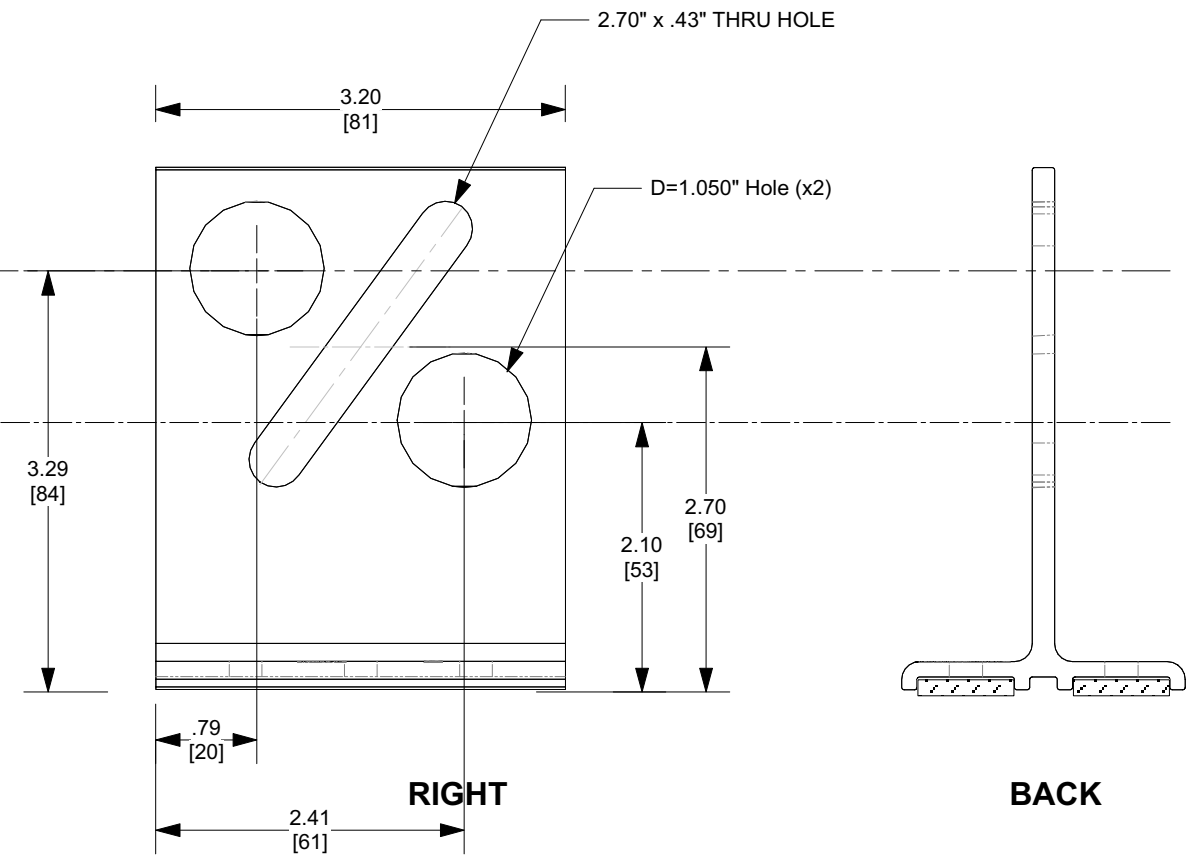
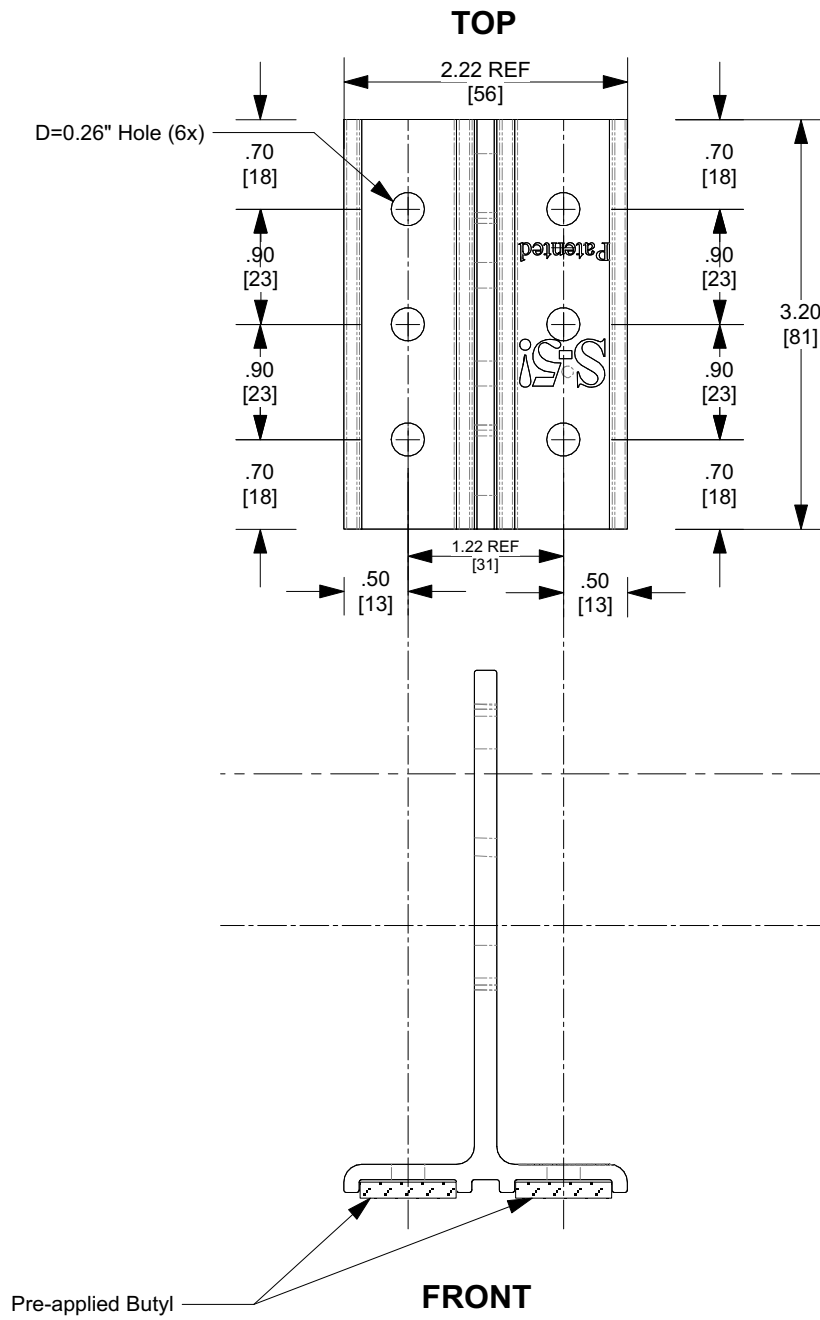
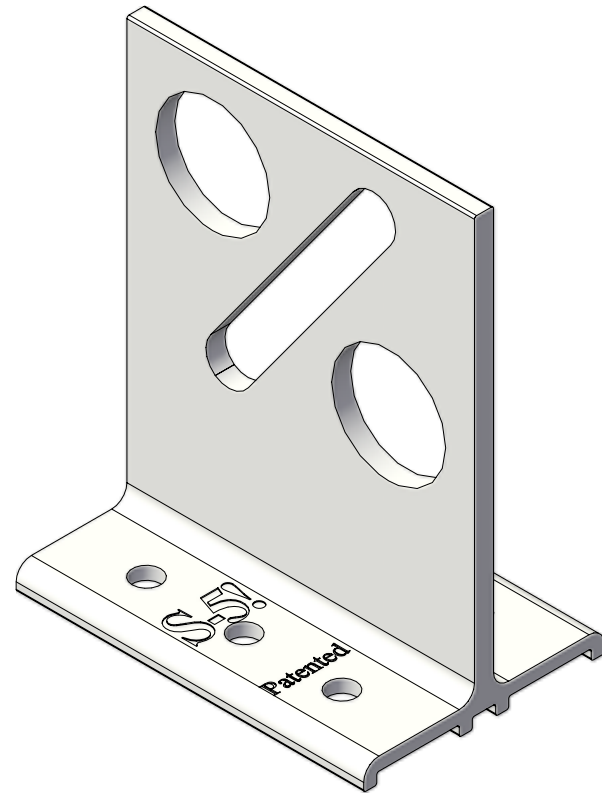


**RIGHT REAR ISONOMETRIC**



MATERIAL:	<b>6000 SERIES</b>
EST ASSEMBLY WEIGHT :	
SUPPLIED HARDWARE:	
SCALE:	<b>1:1.5</b>
OTHER:	



METAL ROOF INNOVATIONS, LTD.  
 8655 TABLE BUTTE RD  
 COLORADO SPRINGS, CO 80908  
 719-495-0518  
 719-495-0045 (FAX)

TITLE	<b>VersaGard</b>		
DRAWING NO.	VG02-A-3-A [CCD]	DRAWN BY	DMMH
		DATE	09/16/2014

S-5!® PRODUCTS ARE PROTECTED BY MULTIPLE U.S. PATENTS INCLUDING 5,228,248, 5,983,588 AND 6,164,033 (OTHERS ISSUED AND PENDING). EUROPEAN PATENTS ARE ALSO APPLIED FOR AND PENDING UNDER THE PATENT COOPERATION TREATY WITH DIVISIONAL FILING RIGHTS RETAINED. METAL ROOF INNOVATIONS, LTD. (LICENSOR OF S-5!® TECHNOLOGY) AGGRESSIVELY PROSECUTES PATENT INFRINGEMENT.