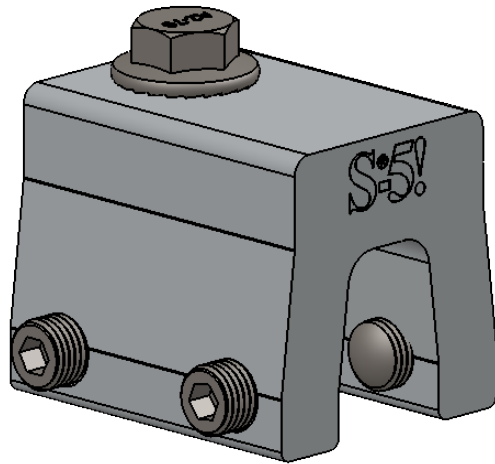
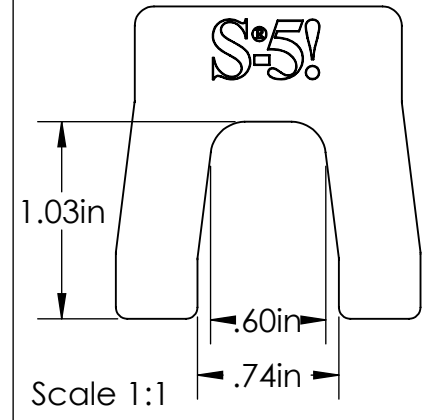
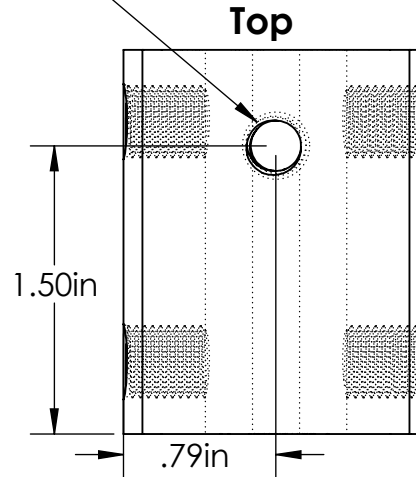


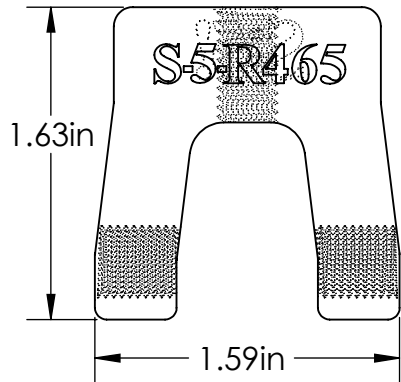
S-5-R465



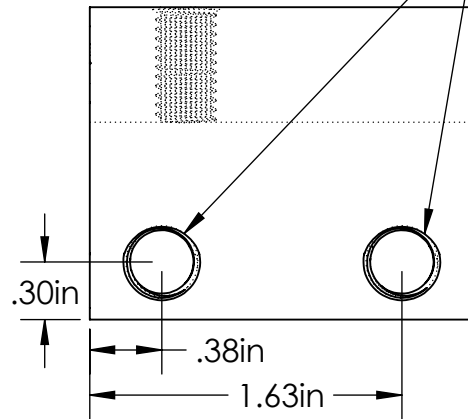
M8-1.25 THREADED HOLE



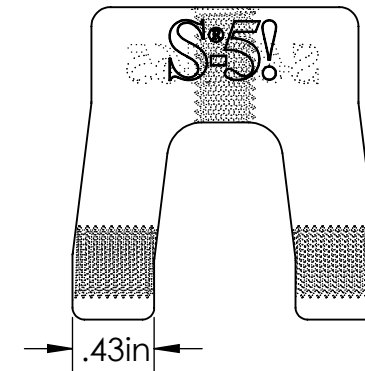
Back



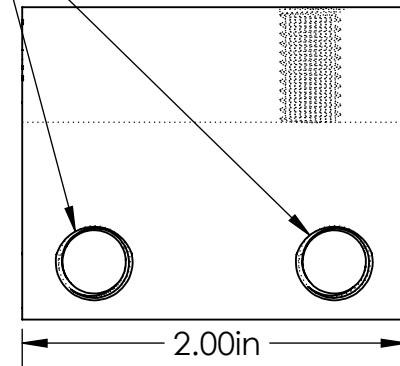
Left



Front



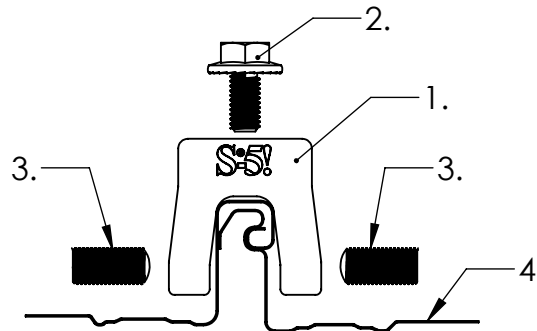
Right



(4X) 3/8-24 Threaded Holes

General Notes:

1. S-5-R465 Clamp
2. M8-1.25 Stainless Steel Hex Flange Bolt (13mm Socket)
3. 3/8-24 Stainless Steel Round Point Setscrew (3/16 Hex Drive)
4. Example roof



FOR STANDING SEAM SPECIFIC MECHANICAL LOAD TEST INFORMATION AND CLAMP INSTALLATION INFORMATION PLEASE VISIT: WWW.S-5.COM

MATERIAL:	6061 T6 Al
EST ASSEMBLY WEIGHT:	0.414 lbs
SUPPLIED HARDWARE:	M8-1.25 x 16 mm Bolt (4X) 3/8-24 x .800" Setscrews
SCALE:	1:1
EST. WEIGHT:	Clamp: 0.311 lbs Setscrew: 0.0170 lbs Bolt: 0.0345 lbs



METAL ROOF INNOVATIONS, LTD.
8655 TABLE BUTTE RD
COLORADO SPRINGS, CO 80908
719-495-0518
719-495-0045(FAX)

TITLE S-5-R465		
DRAWING NO.	DRAWN BY	DATE
RR465-A-3-C	Paul Leitch	5/22/2017

S-5!® PRODUCTS ARE PROTECTED BY MULTIPLE U.S. AND FOREIGN PATENTS.
VISIT OUR WEBSITE AT WWW.S-5.COM FOR COMPLETE INFORMATION ON PATENTS AND TRADEMARKS.